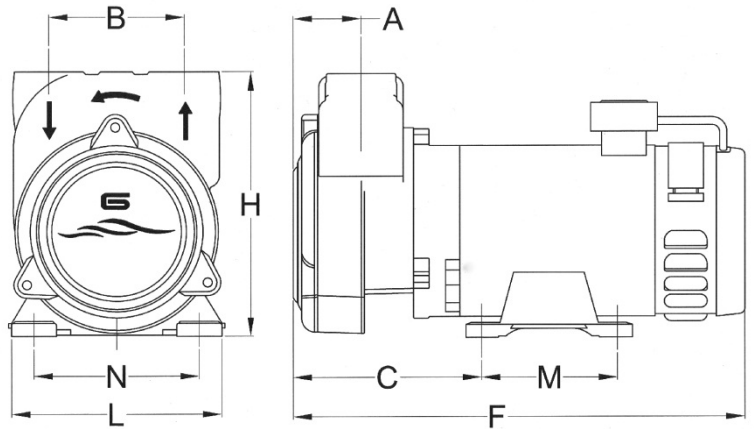
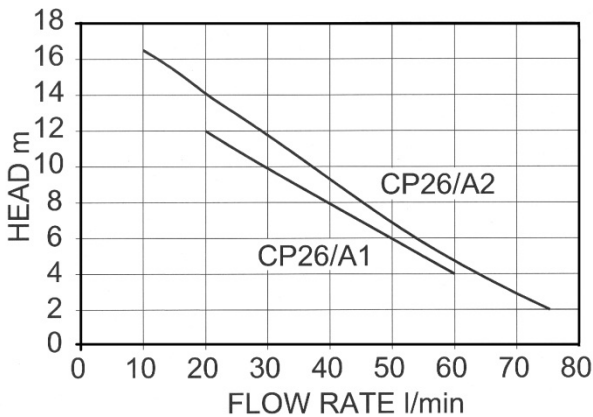




**CP26/A1, CP26/A2**  
12 & 24V D.C.  
LIQUID RING  
SELF PRIMING  
PUMPS



Dimensions in mm – these may vary according to the make and type of motor fitted

MODEL	A	B	C	F	H	L	M	N	IN/OUT	Weight
CP26/A1	45	80	110	240	160	140	90	110	1" BSP	9 Kg
CP26/A2 (12V)	45	80	120	300	160	140	90	110	1" BSP	11 Kg
CP26/A2 (24V)	45	80	120	300	160	140	90	110	1" BSP	10 Kg

**MODEL / PERFORMANCE:**

MODEL	POWER kW	MOTOR CURRENT AMP	VOLTAGE VOLT	RPM	DELIVERY l/min									
					10	15	20	25	35	45	60	75	90	
					DELIVERY m <sup>3</sup> /h									
					0.6	0.9	1.2	1.5	2.1	2.7	3.6	4.5	5.4	
TOTAL HEAD m														
CP26/A1	0.20	16	24	1500				12	11	9	7	4		
CP26/A2	0.37	46	12	1600		15.5	14	13	10.5	8	4.5	2		
	0.37	22	24	1600	16.5	15.5	14	13	10.5	8	4.5	2		

**MATERIALS OF CONSTRUCTION:**

<b>PUMP BODY</b>	Bronze
<b>IMPELLER</b>	Bronze
<b>SHAFT</b>	Stainless steel AISI316
<b>MECH. SEAL</b>	Carbon-ceramic faces

**MOTOR:**

<b>INSULATION</b>	'F' class
<b>PROTECTION</b>	Totally enclosed IP22
<b>VOLTAGES</b>	12v d.c. and 24v d.c.

**APPLICATIONS:**

Diesel fuel transfer, fresh water supply, fire fighting, grey water discharge (galley and showers), suitable for many low viscosity liquids

**GENERAL:**

The 'CP' series has an outstanding self-priming capability. They are designed for clean liquids and can stand reasonable amounts of air in the liquid

Doc651/13